

Learning to use the Knit Leader by Viv Pottage

Wanting to learn to use the Knit Leader I took the idea from a purchased garment. Pattern shapes would work well in open lace light summer weight. I drew pattern onto butcher's paper before putting onto Knit Leader.

After wearing, the straight lines of pattern take on shoulder contours. It does look a bit weird in the schematic. The Open Tuck has an easy wear fit.

Materials Yeomans 50/50

Punch Card Singer 7 on Tuck



Tension Solid Tuck for Sleeves/Side Panel A; Pocket Panel
Tension 7 ||||| Gauge: 60 rows 9.0 cm Ruler: 40 sts 17.8cm Ruler 20

Open Tuck for Front and Back Panel B
Tension 7 |O|O|O ... Gauge: 60 rows 10.5 cm Ruler: 40 sts 15cm Ruler 17

NB: End Needle Selection ON for Brother. I learnt the hard way!

Garment Measurements

Measurements can easily be altered to your fit. Just adjust paper pattern.

Chest: 110cm; Length: 66cm; Sleeve: 58cm from top of shoulder. I have long arms.

Schematic

Schematic measurements are in centimetres and NOT to scale.

Panel A Sleeves and Side garment Knit X 2 Solid Tuck

Panel B Front and Back Knit X2 Open Tuck

Panel C Pockets Knit X2 Solid Tuck

Cast On

- Cast on Rag Ravel Cord
- Double strand e-wrap every needle
- K4r T5 K2r T5. K2r T5.. K1r T6
- Waste yarn Rehang
- Set up Tuck Pattern: Panel A and Panel C Solid Tuck
Panel B Open Tuck
- Follow Knit Leader pattern

Cast Off for Cuff, Pocket Top and Neck Band

- Waste Yarn cast off Tuck panel
- Rehang
- K4r T5 K2r T5. K2r T5.. K1r T8

- Double strand cast off around gate pegs

Neckline

- No shaping as Tuck will adjust to Rolled Hem Neckband
- WY cast off across all stitches
- Join ONE shoulder * to *
- Fold neckline in half and hold across needles to calculate stitches for band. Less for Back. More for Front
- Rehang garment with wrong side facing
- K4r T5 K2r T5. K2r T5.. K1r T8
- Double strand cast off around gate pegs

Assembly Notes

- Graft lower edge of Panel C [pocket] into rolled hem of Panel A. See Schematic for Pocket placement.
- Slip stitch one side of pocket onto Panel A. Other side joins into seam of Panel A and Panel B.
- Join second shoulder.
- Join sleeves A to A and B to B. Seam of sleeve is on top of arm from neck to wrist.
- Join Panel B [Front and Back] large dots and square to Panel A [Sleeve] large dots and square.
- The straight edge of Panel A takes on the curve line of Body Panel B. See Schematic.
- I used Mattress Stitch throughout but use preferred stitch.

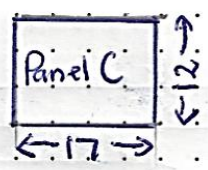
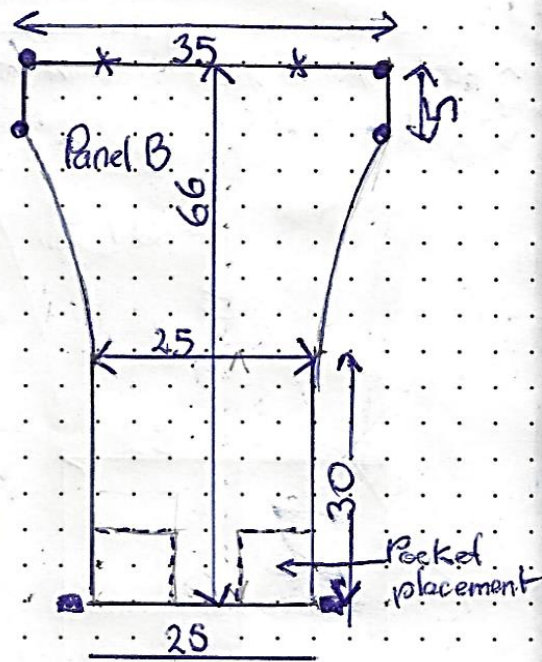
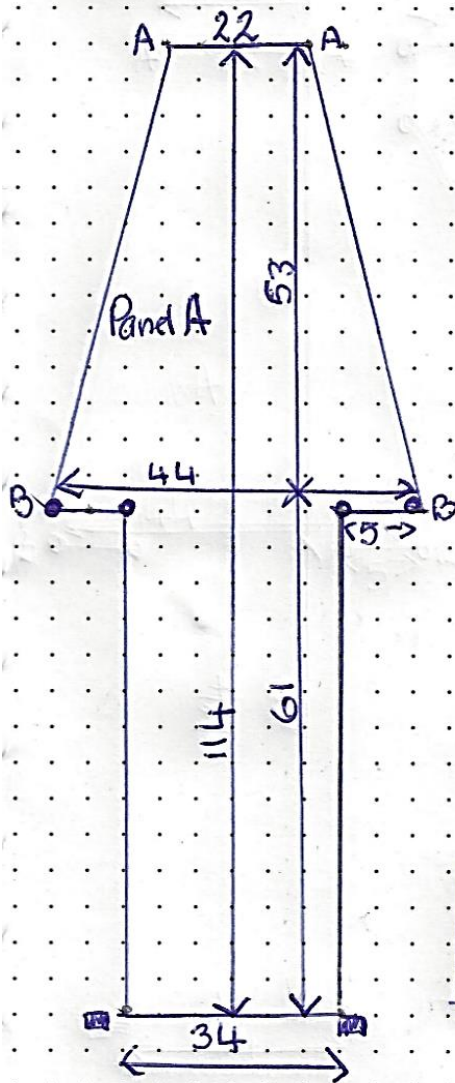
I'm sure I just created more brain cells writing out these instructions. I am sure there are other ways of approaching such a task, but it was a challenging and rewarding process for me.

CAUTION: I haven't had a Knit Detective edit these notes!

Happy Knitting Viv Pottage

Schematic

NOT to scale cm measurements



Join A to A, B to B, ○ to ○, □ to □, * to *

- Panel A: Sleeves + Side Knit 2 Solid Tuck
- Panel B: Front + Back Knit 2 Open Tuck
- Panel C: Pocket Knit 2 Solid Tuck